

Technical Solution Sheet 1.04A

1: Sanitary Plumbing

Installation of Fixtures for Disabled Persons Building Classes 9b and 10 Public Transport Buildings

AIM

The aim of this technical solution is to highlight the installation requirements of sanitary plumbing fixtures for disabled persons in building classes 1 - 9a as defined in *the Building Code of Australia (BCA)*.

PLUMBING REGULATIONS 2008

The Plumbing Code of Australia (PCA) is adopted by and forms part of the Plumbing Regulations 2008. Part C1 of the PCA specifies the objectives and performance requirements related to the installation of sanitary plumbing systems. *AS 1428.1 -2001 Design for access and mobility Part 1: General requirements for access - New building work* and *AS 1428.2 -1992 Design for access and mobility Part 2: Enhanced and additional requirements - Buildings and facilities* are “Deemed-to-Satisfy” documents listed in Part C1 of the PCA and contains sections on “Sanitary Facilities”.

SUMMARY

To comply with the Deemed-to-Satisfy provisions in Part C1 of the PCA all sanitary fixtures provided for people with a disability in classes 9b and 10 (public transport buildings) as defined in the BCA must meet the requirements of *AS 1428.1 (2001)* and *AS 1428.2 (1992)*.

AS 1428.1 (2001) and *AS 1428.2 (1992)* are referenced within the PCA as a result of the standards being referenced within public transport legislation.

Note:

AS 1428.1 and *AS 1428.2 (1992)* contain provisions for both wheelchair accessible facilities and those for ambulant people with a disability. People with an ambulant disability, are those with a mobility disability who are able to walk.

These provisions include location, height and outlets of fixtures, circulation space around fixtures, space under the front of basins, lever handles for taps and grab rails. The minimal spatial requirements given in *AS 1428.1 (2009)* are quite specific and must be met.

Before commencing any rough-in work, it is strongly recommended that plumbing practitioners familiarise themselves with the relevant positioning requirements.

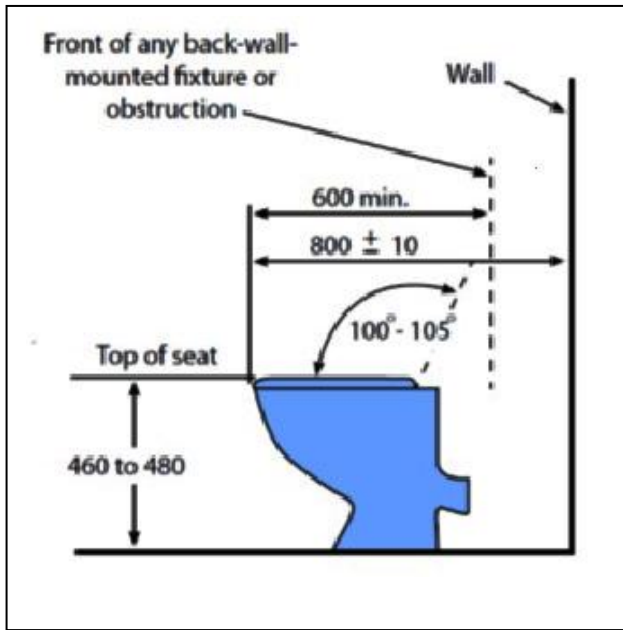
The following drawings (Figures 1, 2, 3, 4 and 5) are provided for guidance only, and do not replace the requirements of *AS 1428.1 (2001)* and *AS 1428.2 (1992)*.

Note:

- All dimensions are in millimetres
- For the purpose of dimensioning, the front of the WC pan has been taken as the datum plane
- The dimensions of 800 mm plus or minus 10mm from the front of the WC pan to the wall is a critical dimension.

Technical Solution Sheet 1.04A

(I) SIDE VIEW



(II) FRONT VIEW

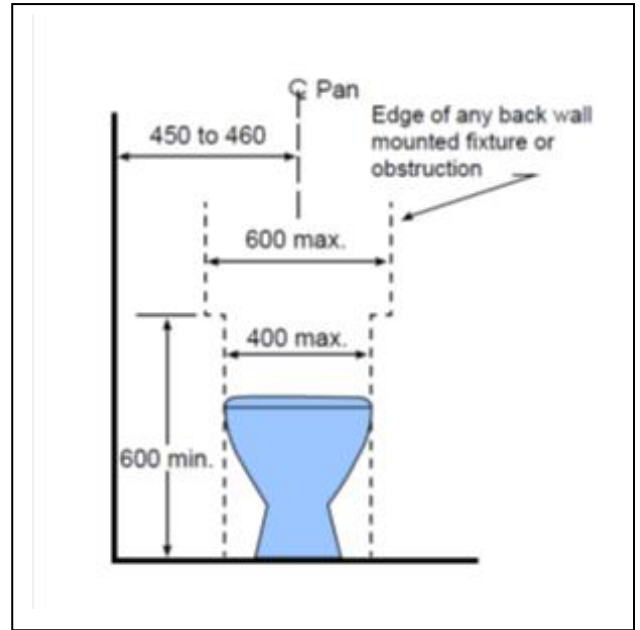
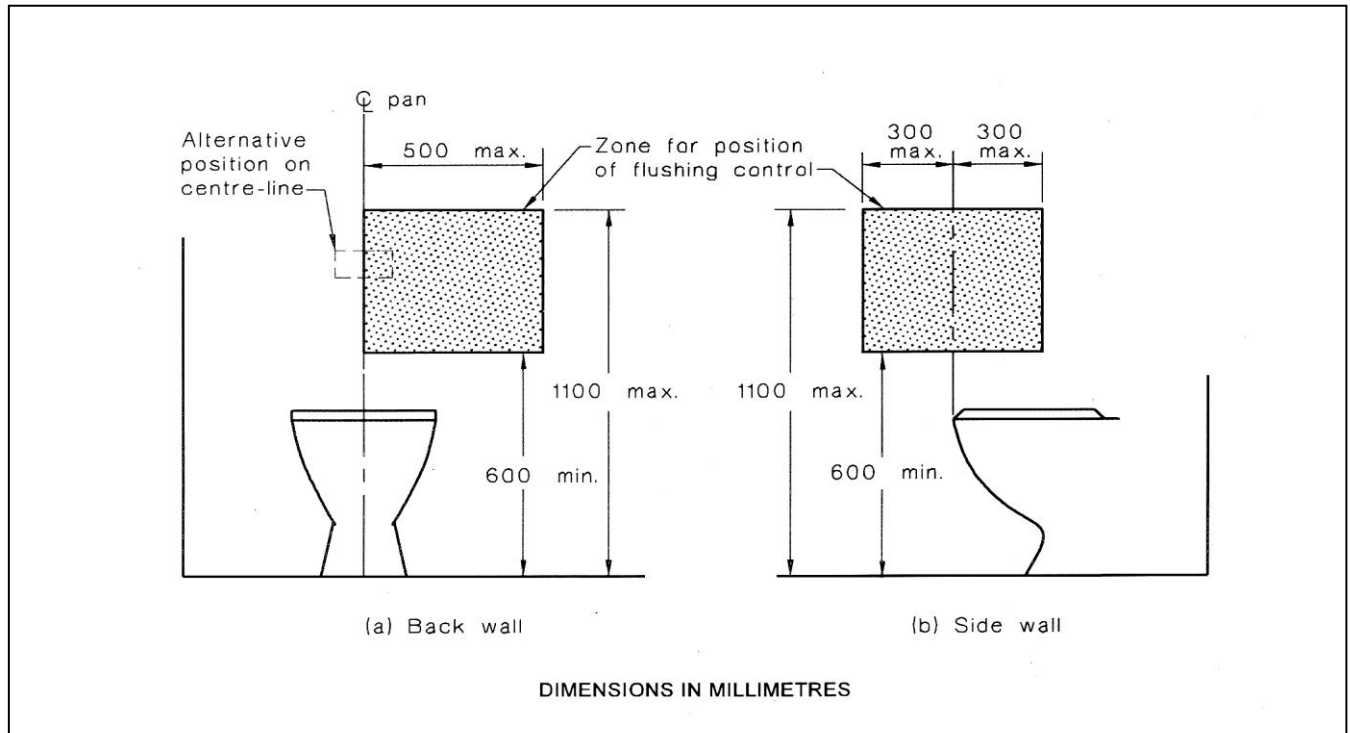


FIGURE 2 – ZONE FOR POSITION OF FLUSHING



Technical Solution Sheet 1.04A

FIGURE 3 – POSITION OF WASHBASIN AND FIXTURES, AND OUTER LIMIT OF OBSTRUCTION BENEATH THE WASHBASIN (SOURCE: AS 1428.1)

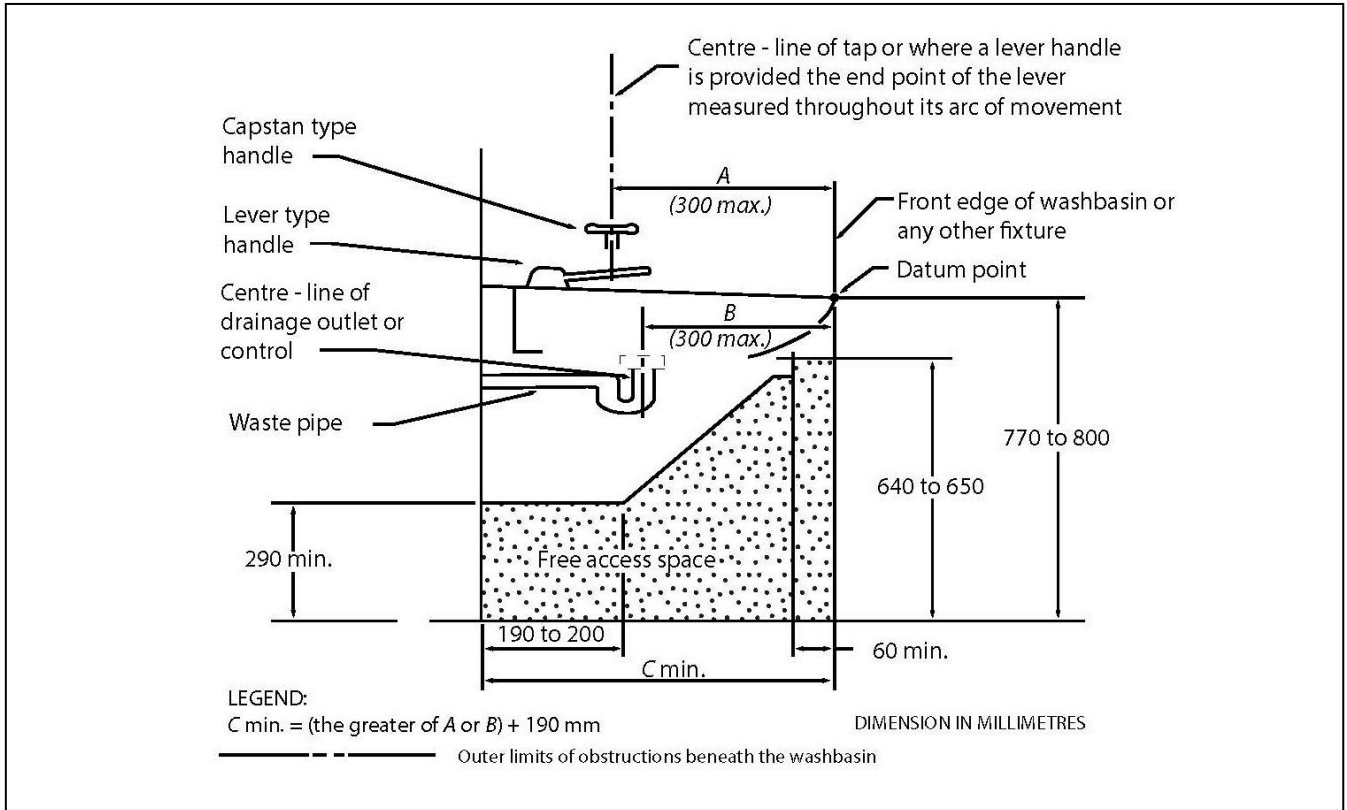
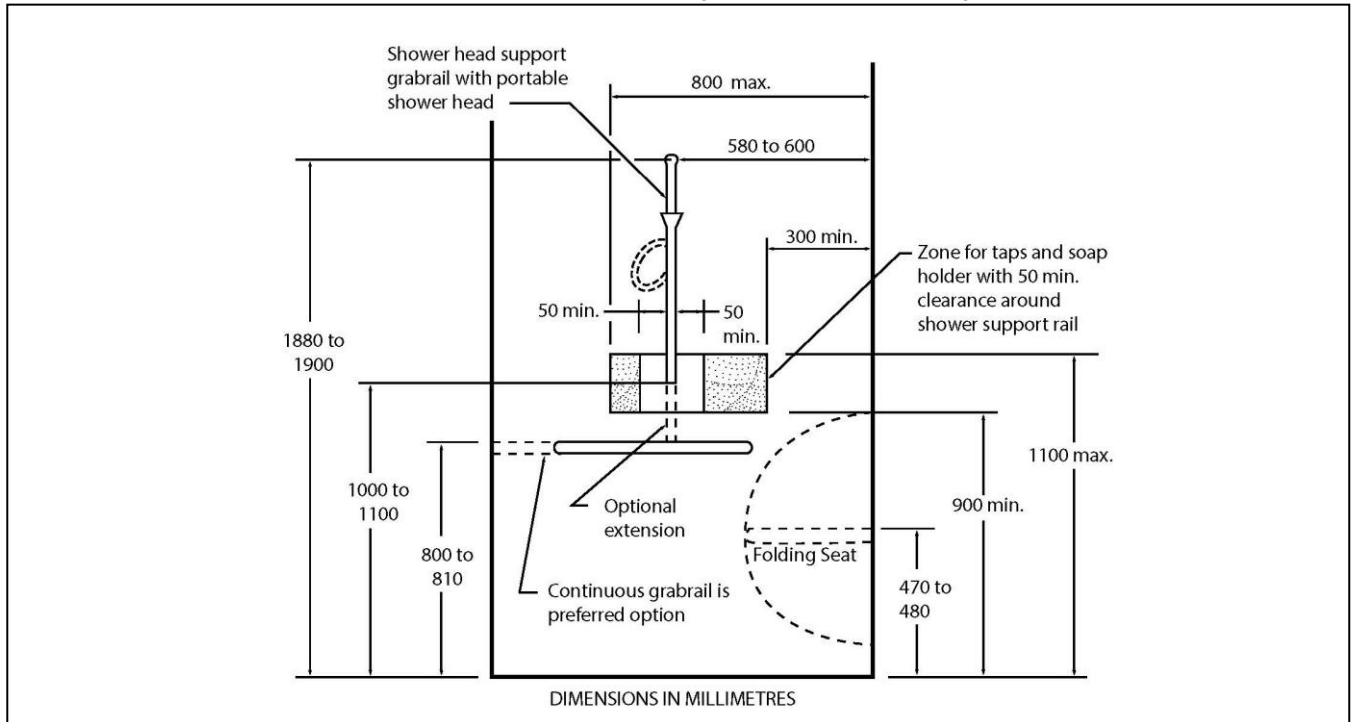


FIGURE 4 – SHOWER RECESS FITTINGS – ELEVATION (SOURCE: AS 1428.1)



Technical Solution Sheet 1.04A

AS 1428.1 and *AS 1428.2* are published by
SAI Global limited. A full suite of standards can be obtained from
www.saiglobal.com/shop